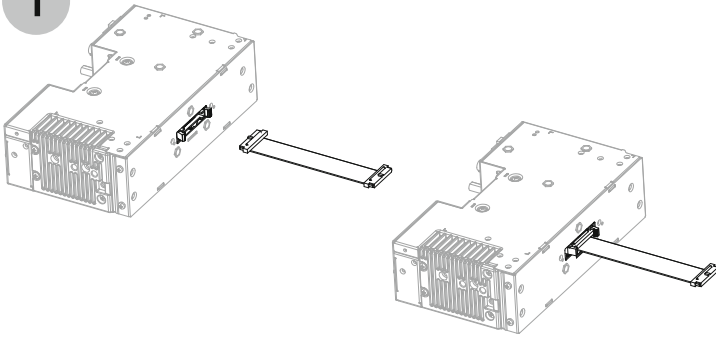


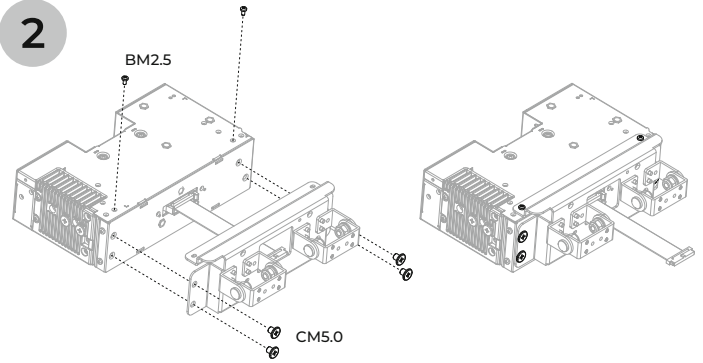
V10W2 Assembly Instruction

1



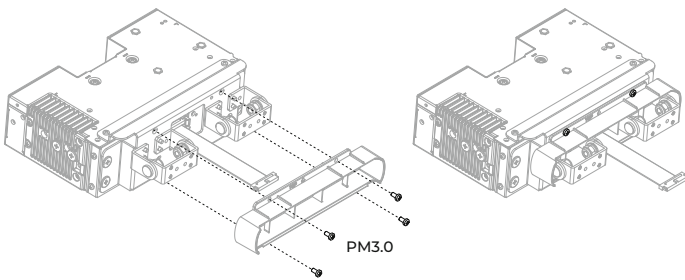
Connect the connection cable to the main unit

2



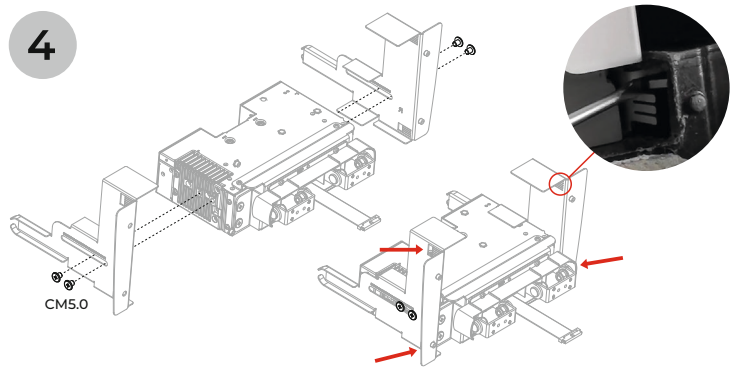
Put the main unit and rotary damper together

3



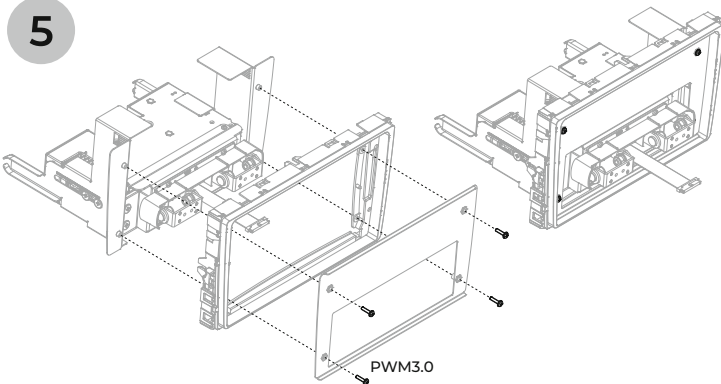
Put the main unit and rotary damper together

4



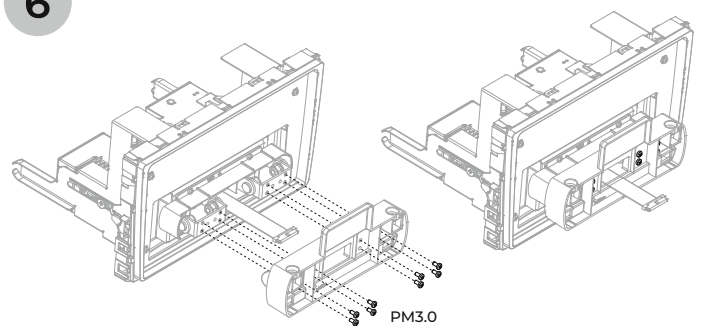
Put the main unit and mounting plates together and bend the tabs of the metal bracket at the 4 corners with a flathead screwdriver in the car

5



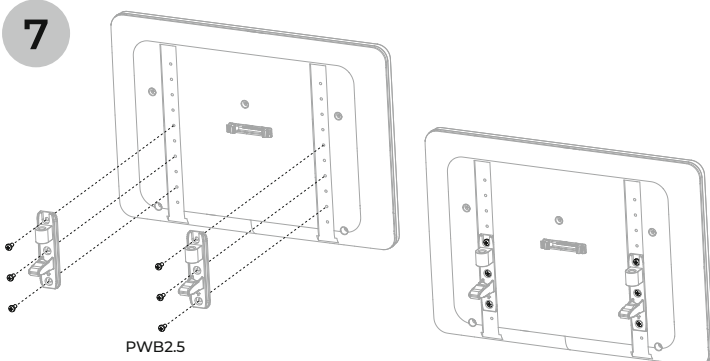
Put the main unit and radio bezel together

6



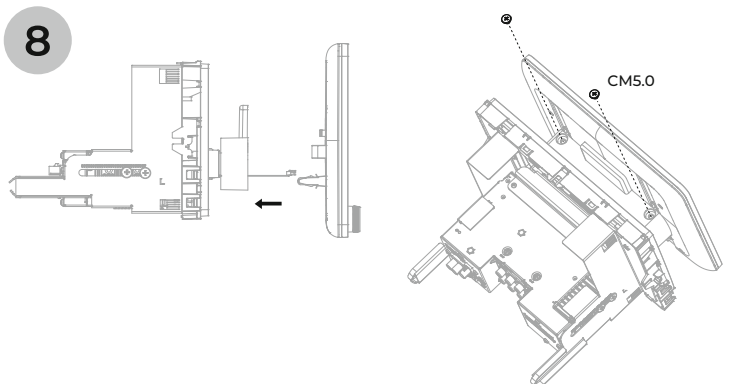
Put the radio main unit and monitor stand together

7



Put the display and the display holder together

8



Install the radio main unit and fix the display