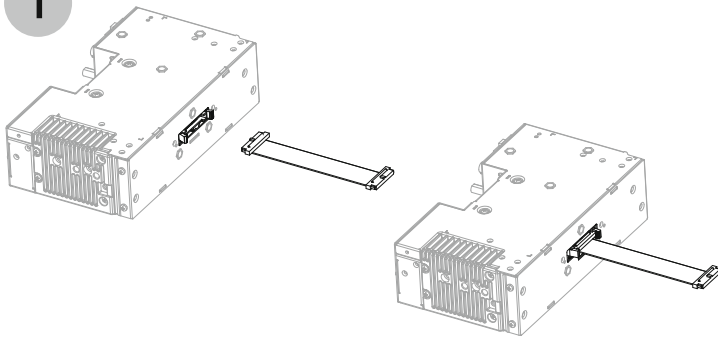


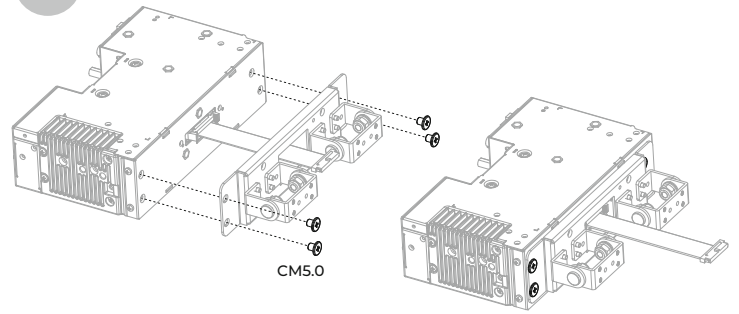
# UNI101 Assembly Instruction

1



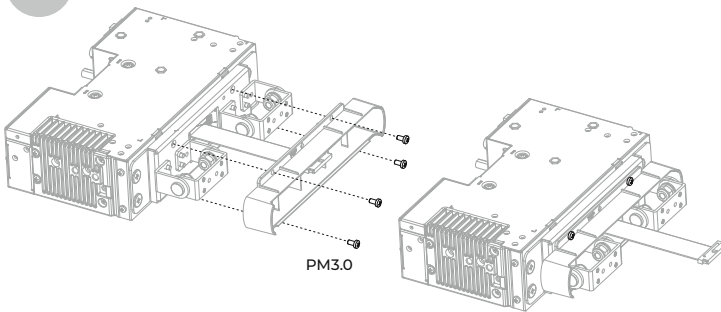
Connect the connection cable to the main unit

2



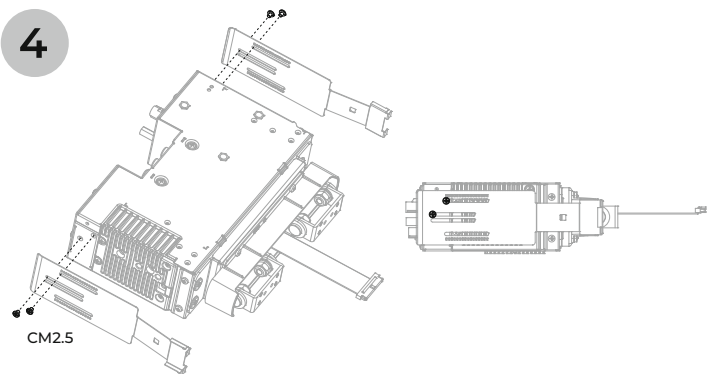
Put the main unit and rotary damper together

3



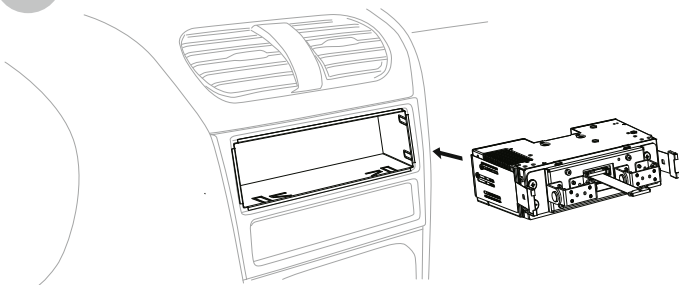
Put the main unit and rotary damper together

4



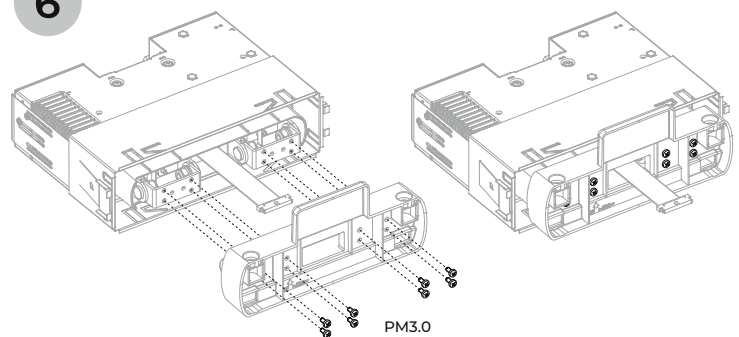
Put the main unit and mounting plates together

5



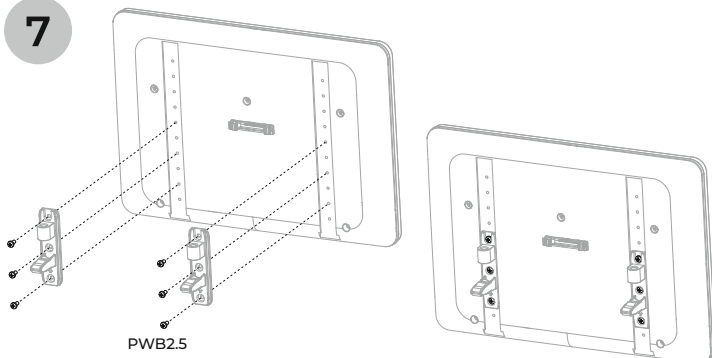
Install the metal cage to the car and put the main unit inside the metal cage

6



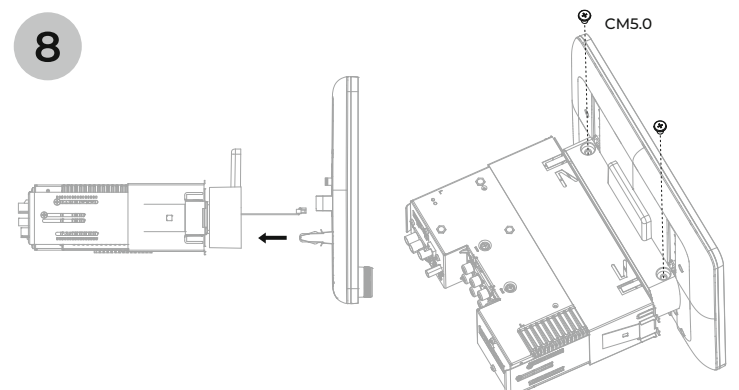
Put the radio main unit and monitor stand together

7



Put the display and the display holder together

8



Install the radio main unit and fix the display