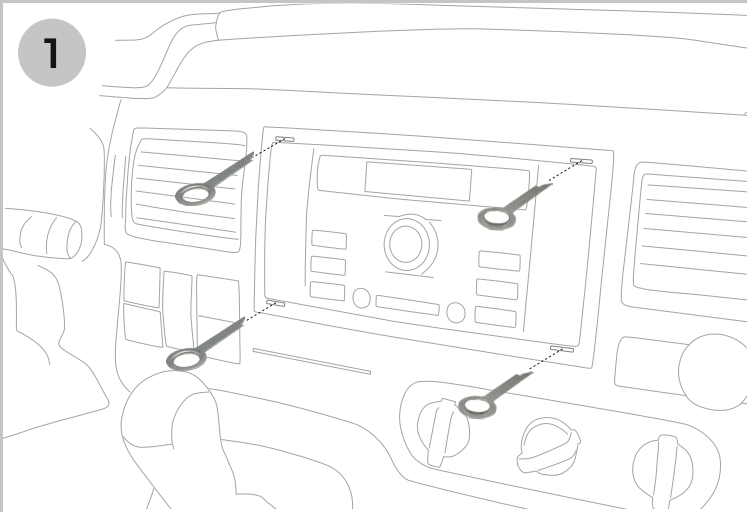
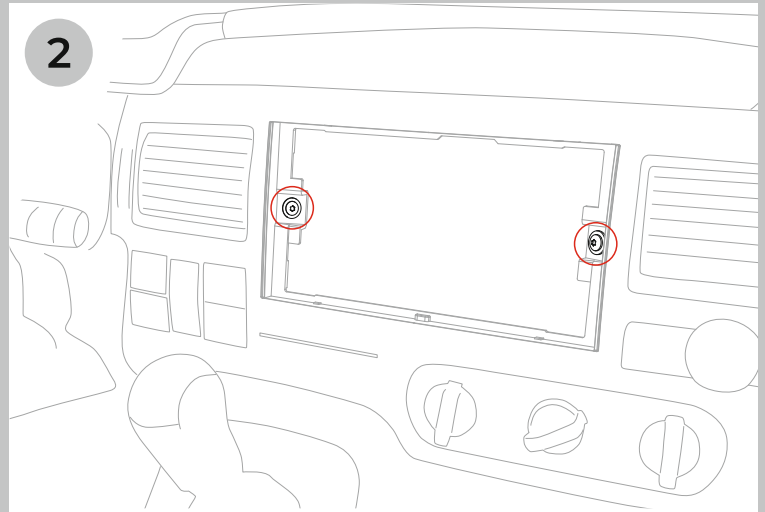


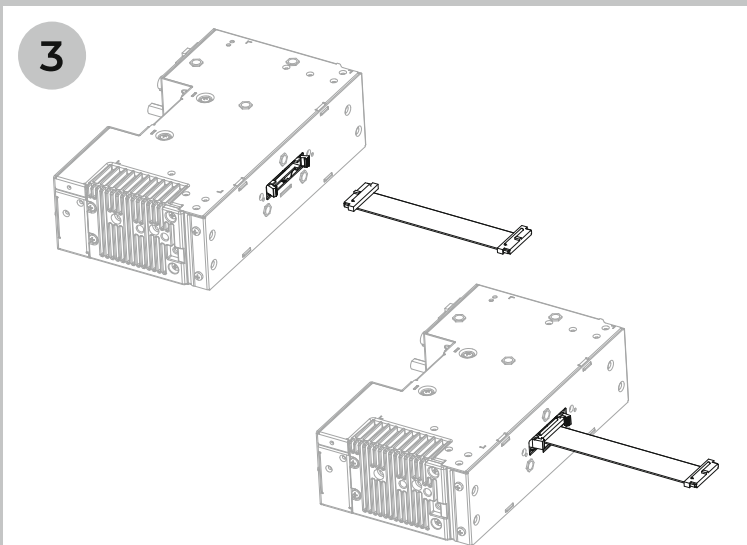
TS06 Assembly Instruction



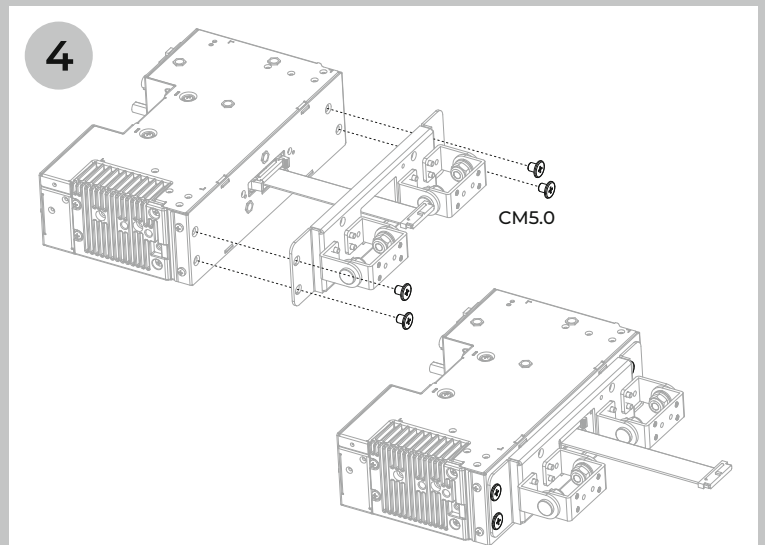
1
Remove the original radio by inserting the four release keys



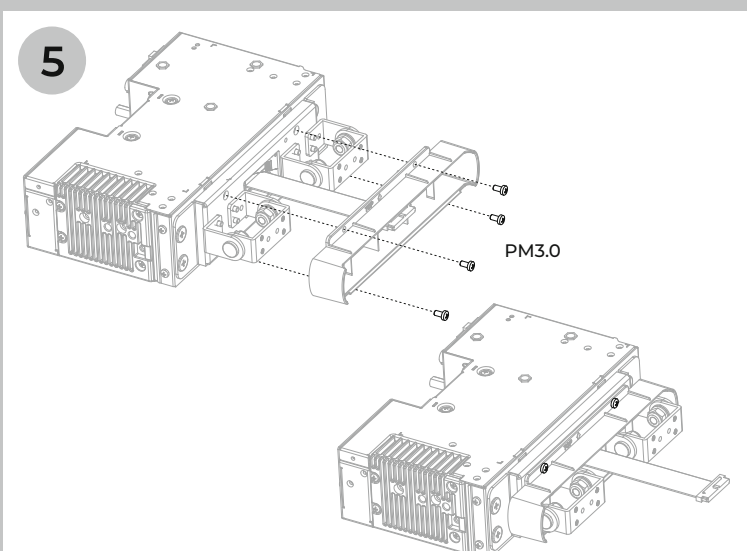
2
Remove two screws from the original radio bezel



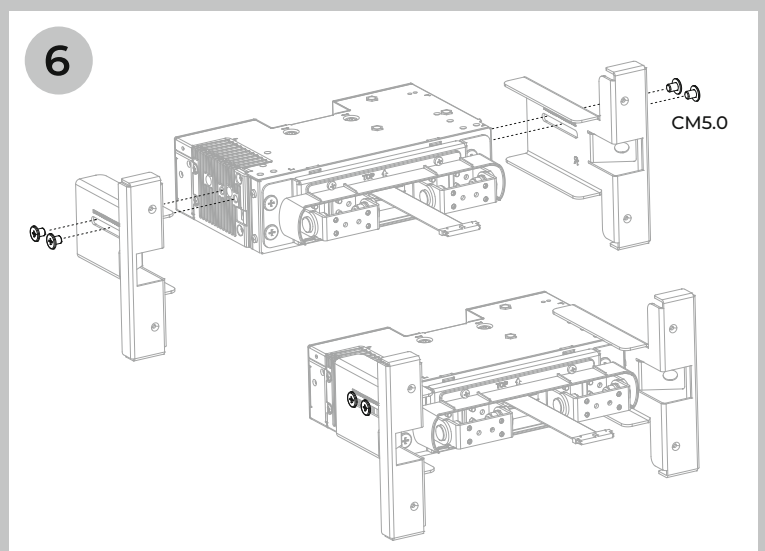
3
Connect the connection cable to the main unit



4
Put the main unit and rotary damper together

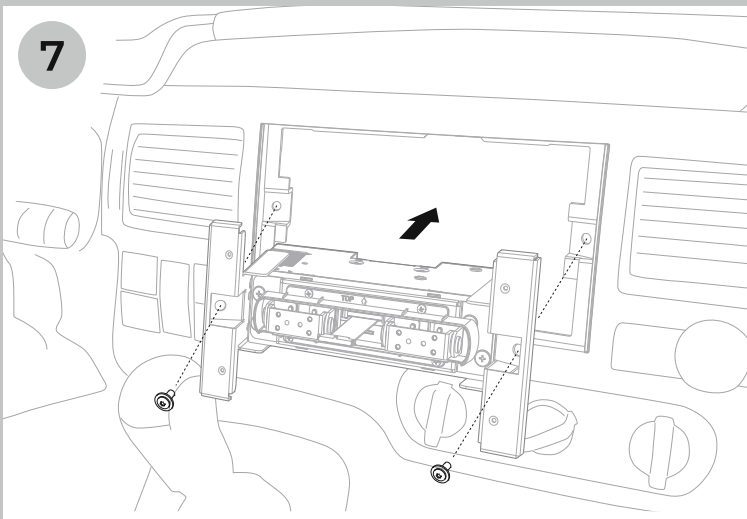


5
Put the main unit and rotary damper together



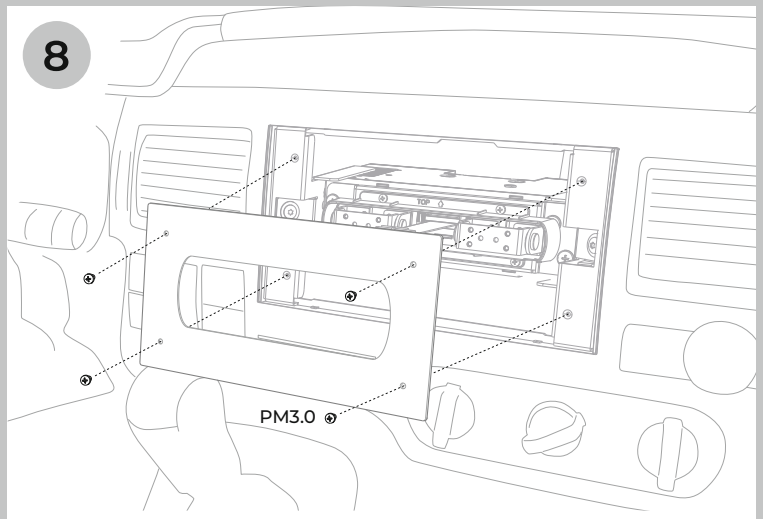
6
Put the main unit and mounting plates together

7



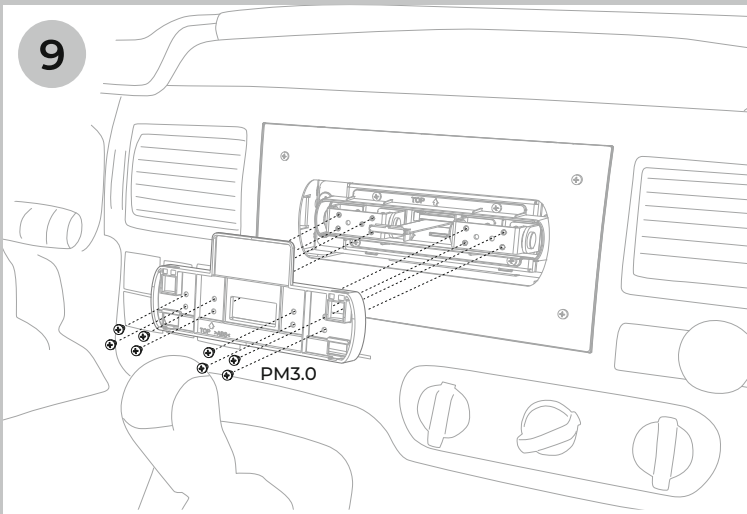
Put the main unit and the original radio bezel together

8



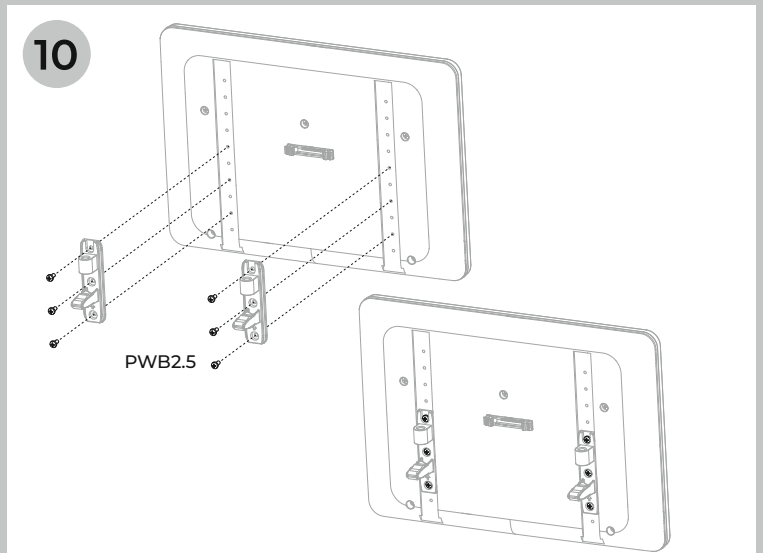
Put the main unit and the plastic plate together

9



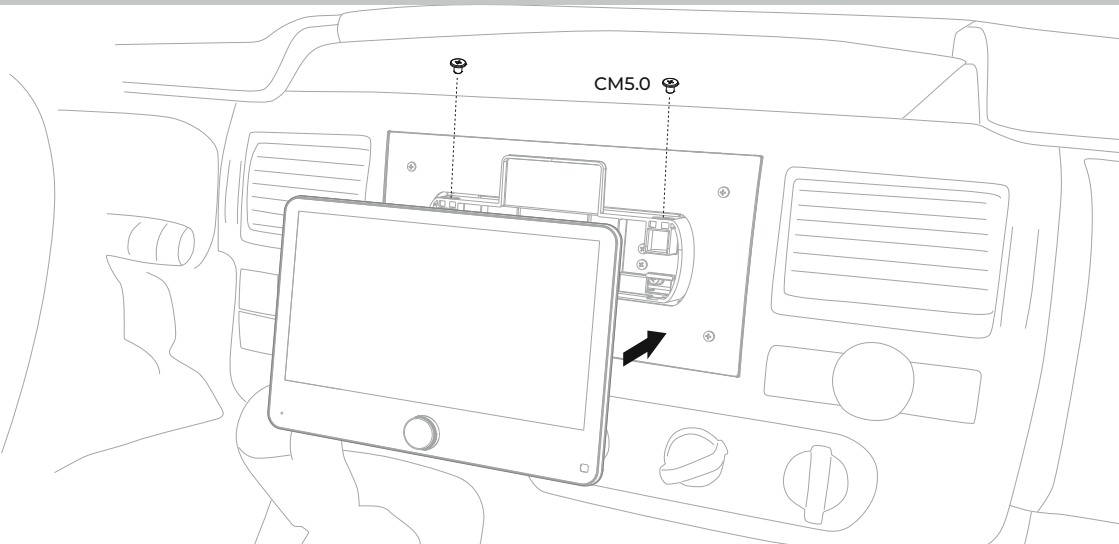
Put the radio main unit and monitor stand together

10



Put the display and the display holder together

11



Install the radio main unit and fix the display