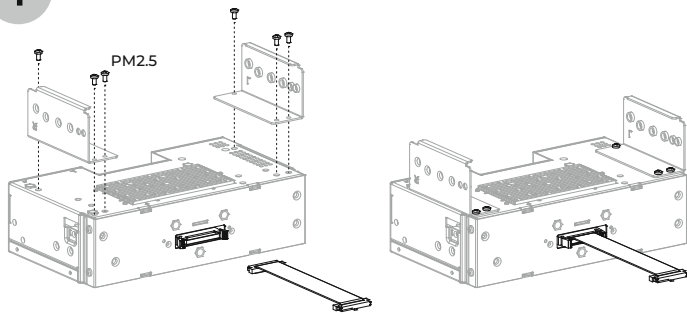


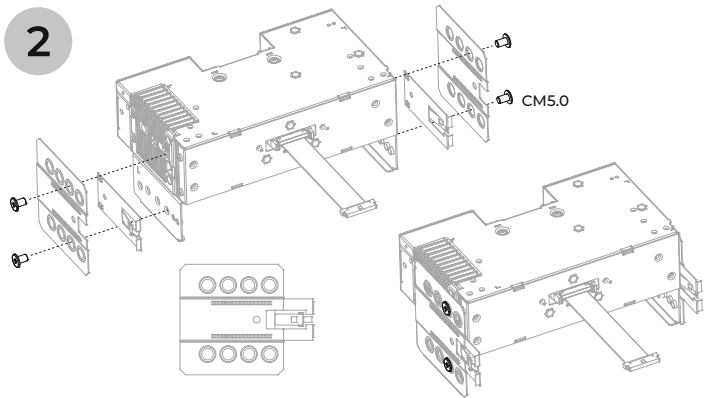
# DVN-T5TPAPT Assembly Instruction

1



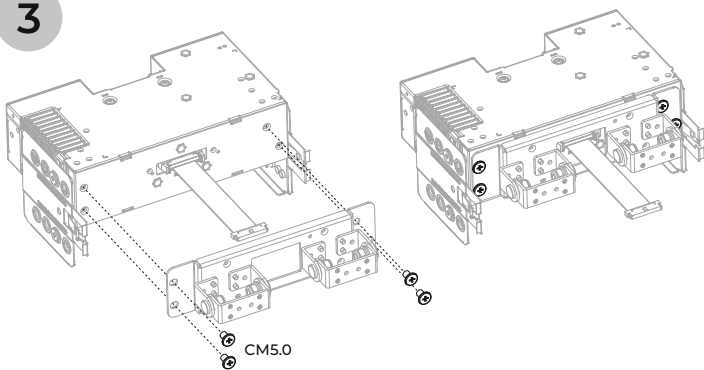
Put the main unit and metal bracket together and connect the connection cable to the main unit

2



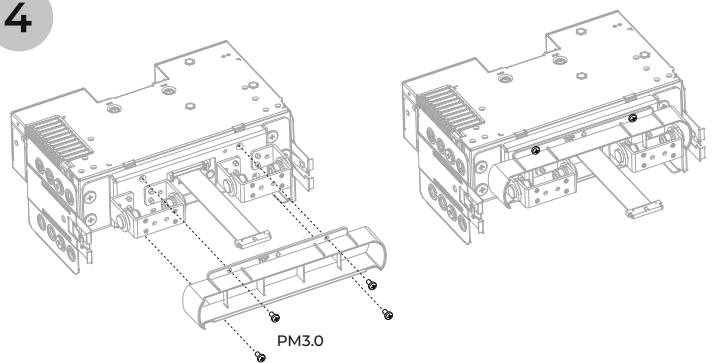
Put the main unit and mounting plates together

3



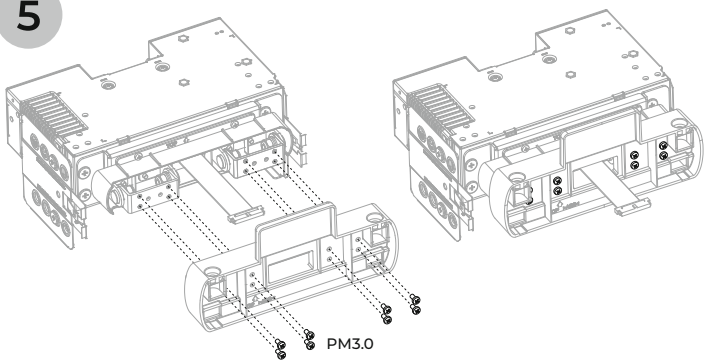
Put the main unit and rotary damper together

4



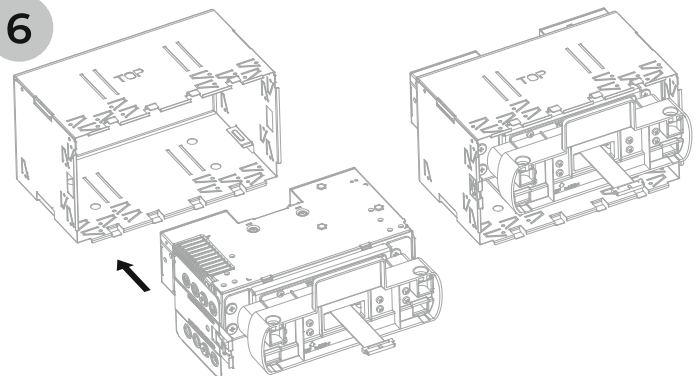
Put the main unit and rotary damper together

5



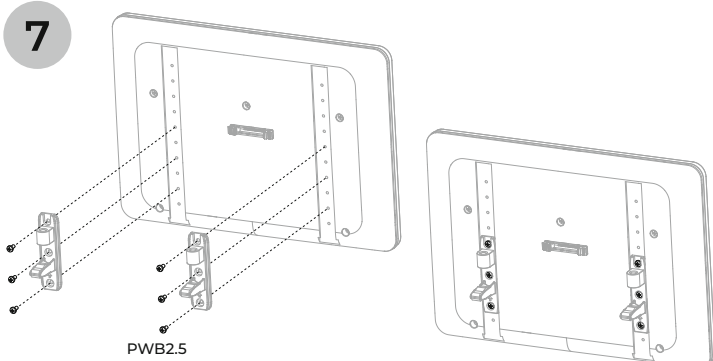
Put the radio main unit and monitor stand together

6



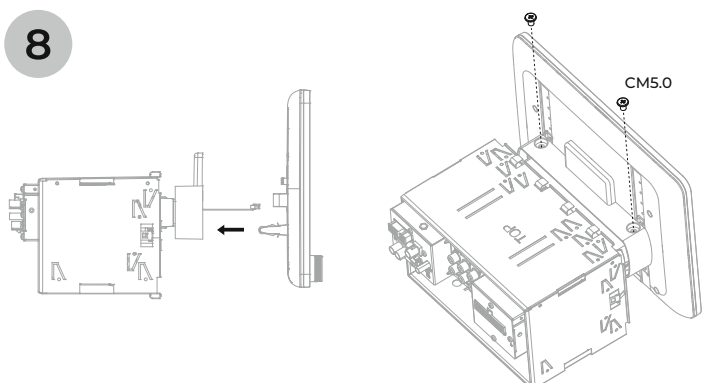
Install the metal frame to the car and put the main unit inside the metal frame

7



Put the display and the display holder together

8



Install the radio main unit and fix the display