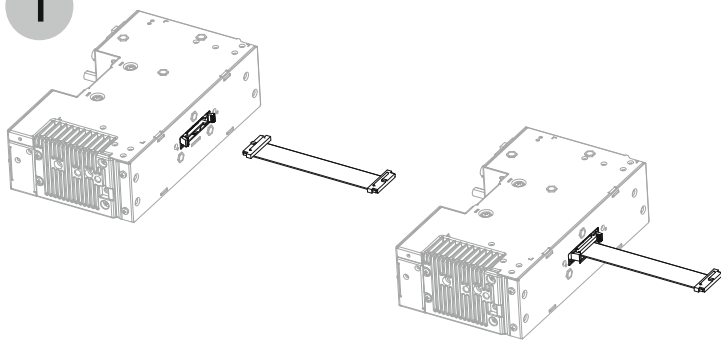


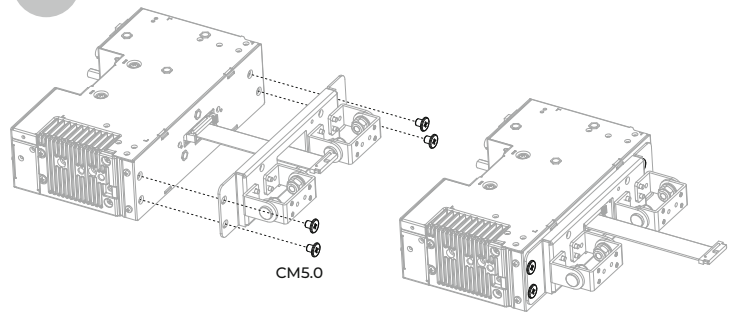
DVN-T5APT Assembly Instruction

1



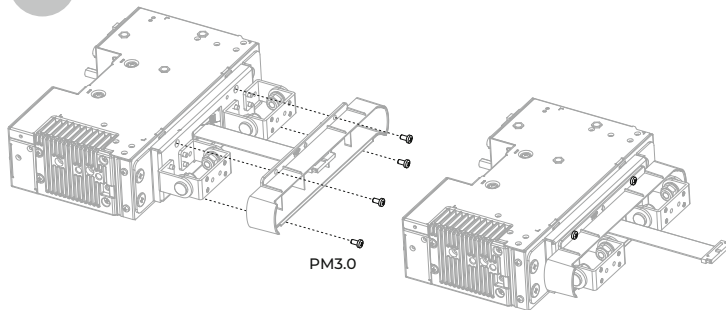
Connect the connection cable to the main unit

2



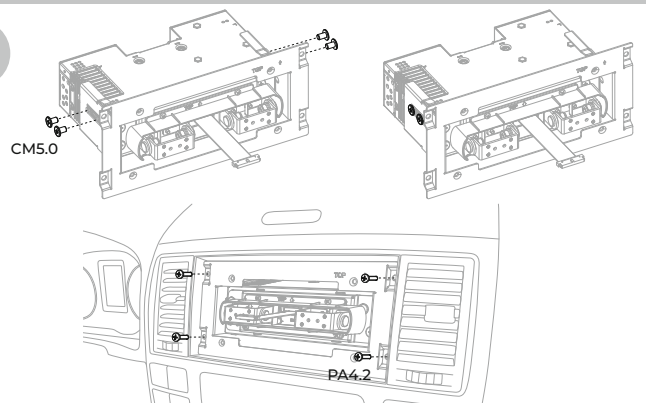
Put the main unit and rotary damper together

3



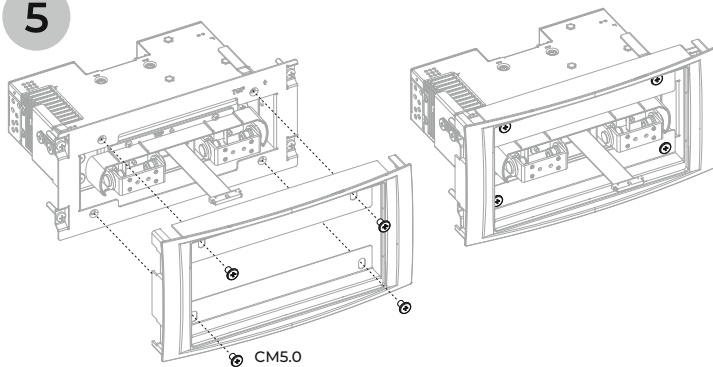
Put the main unit and rotary damper together

4



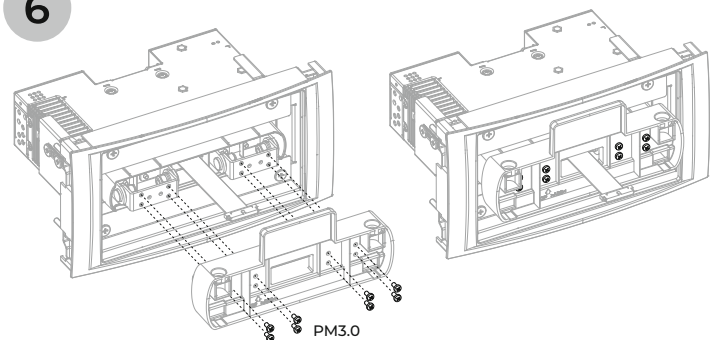
Put the main unit and metal bracket together and fix the main unit with bracket to the car

5



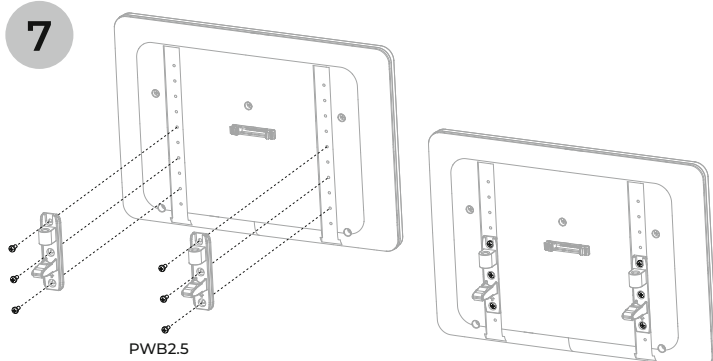
Put the main unit and radio bezel together

6



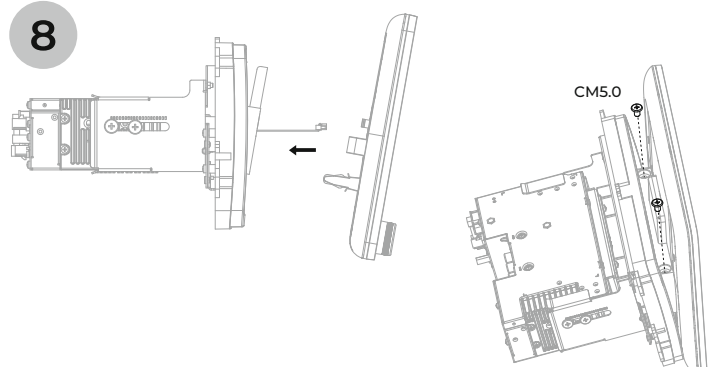
Put the radio main unit and monitor stand together

7



Put the display and the display holder together

8



Install the radio main unit and fix the display